



## Company Profile

**TRIUMPH OILFIELD PRODUCTS (P) Ltd** is established in order to undertake Manufacture & Supply of Oilfield Equipments in India as well as in International Markets , thus making its contribution to the economic progress of the Country as well as Government sector. Triumph Oilfield Products is widely recognized to be at the vanguard of the leading Engineering firms operating in India .

Under the Management of Highly experienced professionals in the field ,Triumph Oilfield products has given a great emphasis which was laid on safety, environment, quality control with stringent engineering specifications which made the company to attain high quality standards and achieving optimal level of clients' satisfaction.

The Companies continuous expansion in new areas with high potential and the consolidation of its position in those areas where it already operates are the core objectives. To achieve these objectives a continual improvements program in management efficiency and effectiveness of production methods is in place, which guarantee quality and reliability in delivering products to customers on time.

Triumph Oilfield Products has a well-organized and well-disciplined experienced work force and owns a large fleet of Machineries which are capable to manufacture oilfield equipments like Hammer Unions , Forged Tee Elbow Long sweep Elbow . Ring joint gaskets and many more

### **SAFETY POLICY**

It is the policy of Triumph Oilfield Products (P) Ltd to conduct all its operations in such a way as to provide a safe and healthy working environment so as to protect its employees, the sub-contractors, the general public and others from injury or ill health arising from our operations wherever they may be located both at the worksite and offsite camps, storage and warehousing / workshops etc.

We believe in "Zero Accident Policy" and consider this policy as one of our targets. In brief we pursue the following objectives to attain our requirements: -

- Suitable protective clothing and equipment
- Safe construction methods and practices.
- Well maintained plant and equipment.
- Regular medical checkups.
- Ensuring safety awareness by all personnel.
- Ensuring environmental issues are addressed.
- Regular Safety Training of Staff.
- Conduct site safety inspection to insure safety compliance.

### **QUALITY POLICY**

The top Management of Triumph Oilfield Products (P) Ltd has a declared commitment to achieve business excellence by combining good quality management in all its activities and at all level of the organization.

In Order to achieve this commitment management has set the following objectives to,

- Comply with specified contractual requirements
- Ensure that our service is cost effective reliable, high quality and is delivered on time.
- Continuously strive for improvement, through continues review and improvement of the system effectiveness.
- Importing training to staff to improve their technical skills and upgrade their knowledge
- A professional approach to customer interface is maintained at all times.
- Any complaints are dealt with efficiently and within an acceptable time period.

### **MISSION**

We are committed to Provide Quality Products at affordable price with Technical Knowhow in the respective field of Operation with minimal downtime loss which is the prime motto of any Industry and the We are focused towards bringing this dream a reality through its Products & Services in the Country

### **Our Vision**

Triumph Oilfield Products (P) Ltd is committed to provide its customers unsurpassed, excellence in Quality, Reliable Products . Our Goal is to be the first and best choice of our esteemed customers and strive towards achieving highest level of Customer Satisfaction by continual improvement in products, processes and service standards ensuring Quality, Performance and Safety

### **VALUES**

Our values include 100% quality. Preplanned work strategy, safe and hard work to complete the product by the time line. Practical thinking combined with creativity has fetched the reputation in the industries.

### **Our vision**

**“To be the best supplier of choice in every industry we serve”**

### **Mission statement**

To support our customers across the world by providing superior products and services of exceptional quality and value. To create long-term shareholder value by meeting or exceeding our customers' expectations of quality as we deliver our products and services on time and on budget. This will be achieved by creating a fully participatory environment supported by necessary resources, while maintaining the highest ethical standards.

## Our Products

### Flanges

A weld neck flange consists of a circular fitting with a protruding rim around the circumference. Generally machined from a forging, these flanges are typically butt welded to a pipe. The rim has a series of drilled holes that permit the flange to be affixed to another flange with bolts Neck Flanges

We are manufacturing all types of Flanges ,Weld neck flanges of the following specifications

**Carbon Steel** – SA105/A105, SA694/A694, F42-F60

**Low Temperature** - SA350 / LF2

**Stainless Steel** – SA182/A182 F306/F306L, F316/F316L, F321

**Alloy Steel** – SA350/A350 LF6; SA707/A707 L3, SAE 4130/AISI 4130



### Ring Joint Gaskets

**Ring Joint Gaskets** are metallic sealing **rings** suitable for high pressure and high temperature applications and are fitted in **ring** grooves. They are widely used in the Oil / Petrochemical industry and in valves and pipe work. Choice of material may be determined to suit higher temperatures and aggressive media.

Triumph Oilfield Products (P) Ltd can manufacture and supply of all sizes of Ring Joint Gaskets required for oil and gas equipments



### **Hammer Unions**

A connection common in the oil industry consisting of two joints coupled by a threaded nut. Protrusions on the nut are hit with a sledgehammer to tighten the connection and energize the seals.

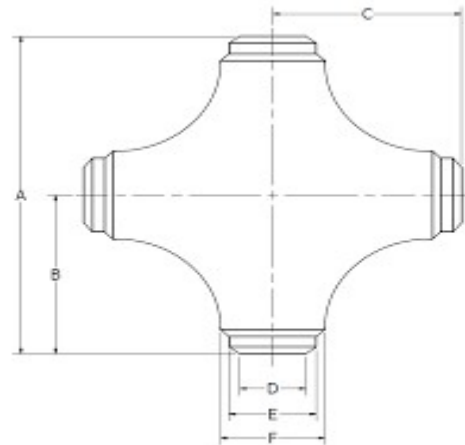


We are one of the major supplier of Hammer Unions of different sizes in India as well as in International Markets.

### **Forged TEE , ELBOW**

A **fitting** or **adapter** is used in pipe systems to connect straight sections of [pipe](#) or [tube](#), adapt to different sizes or shapes, and for other purposes such as regulating [fluid](#) flow. These fittings are used in piping to manipulate the conveyance of water, gas, or liquid waste in domestic or commercial environments, within a system of pipes or tubes.

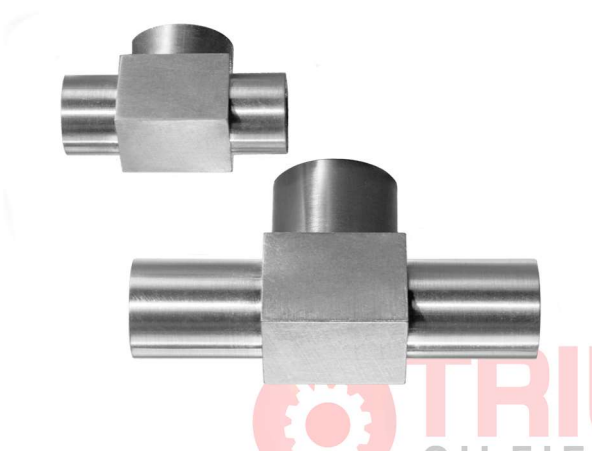
Triumph Oilfield Products are capable to manufacture and supply of different sizes of Pipefittings like Cross, Tee , Elbow of all requirements for the oil and Gas industry ,.



### **High Pressure Piping and Manifold Fittings**

We Triumph Oilfield Products are one of the Major supplier of High pressure pipings with **AISI 4130** Materials of different schedules from 2" to 6" in sizes and our specially designed Manifold Fittings are suitably utilized for the pipe fitting applications in oil, gas, petrochemical, food processing and pharmaceutical Industries

We are one of the major manufacturer and supplier of forged high pressure manifold fittings of different Sizes and ratings across the Globe .



### **Forgings for Control Valves , Mud valves**

Control Valves are playing a Major Role in Industry by application wise and We are one of the Major suppliers of forging for control Valves used in oil and gas Industry , Petrochemical industry ,process Industry etc .



Forgings

## Studs & Bolts

A **threaded rod**, also known as a **stud**, is a relatively long rod that is threaded on both ends; the thread may extend along the complete length of the rod. They are designed to be used in tension. Threaded rod in bar stock form is often called **all-thread**.

Triumph Oilfield Products (P) Ltd is one of the Major suppliers of API 20 E Certified fasteners including Tapend Studs, Full thread studs along with nuts with Yellow passivated, Electro galvanized & PTFE or Xylon coated as per the Requirements

We Supply ASTM A193-B7 studs along with ASTM -194-2 H, Duly Monogrammed with API 20 E standards for Oil and Gas industries requirements both Domestic as well as International Markets



 TRIUMPH

With our Endeavor to be the leader and excel, Triumph Oilfield Products (P) Ltd is focusing towards implementation of coveted ISO 9001: 2015 certification for its procedures.





### Contact Details

## TRIUMPH OILFIELD PRODUCTS PRIVATE LTD

715-A, 7<sup>th</sup> Floor , Spencer Plaza , Suit No: 443 Mount Road AnnaSalai

Chennai-600 002 -Phone :044-28505032

Website ; [www.triumphos.com](http://www.triumphos.com) Email; [kannan@triumphos.com](mailto:kannan@triumphos.com)  
[info@triumphos.com](mailto:info@triumphos.com)

Mobile: +91-77305274002

CIN:U29190TN2021PTC140501

Thank You

